

MC2648 Service Parts

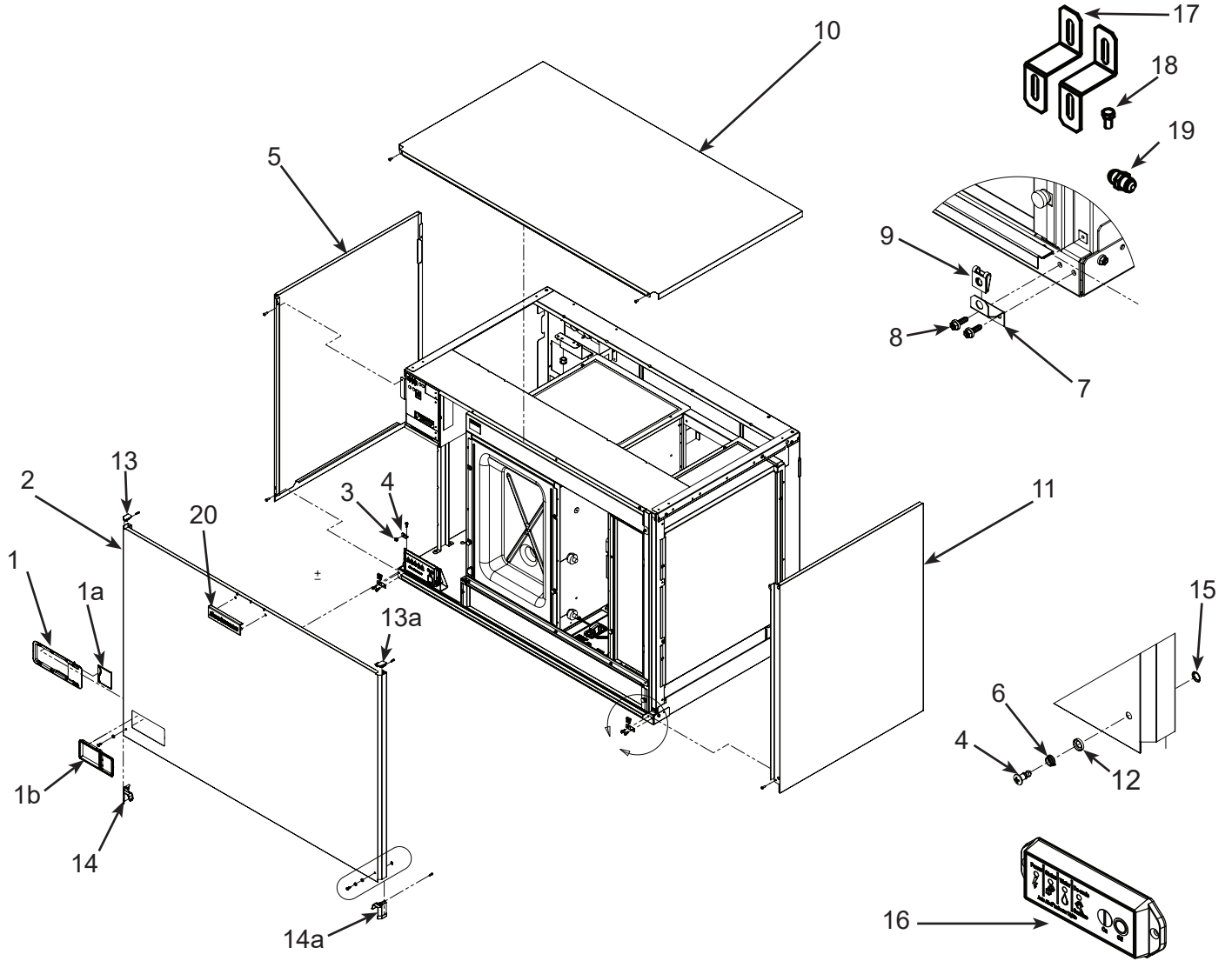
This is the service parts list for the MC2648. There are two cube sizes and the curtain switches, water distributors, curtains and evaporators have left, center and right differences.

Contents

Exterior Panels	Page 2
Cabinet Structure	Page 3
Interior Components, Left View	Page 4
Interior Components, Right View	Page 5
Refrigeration System	Page 6
Freezing Compartment	Page 7
Control Box Components	Page 8

MC2648 Service Parts

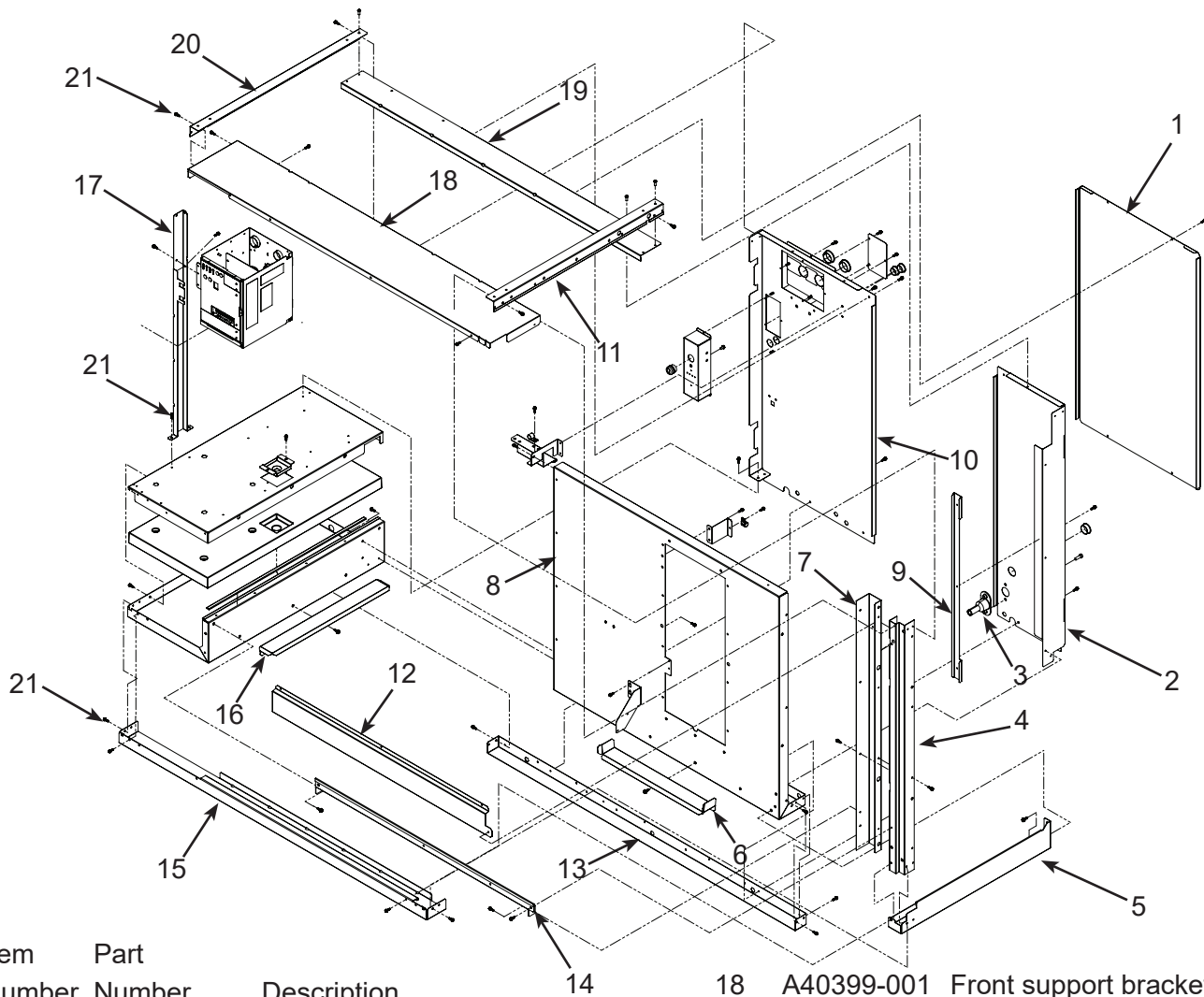
Exterior Panels



Item Number	Part Number	Description
	13	02-5140-01 Top left corner
	13a	02-5140-02 Top right corner
	14	02-5141-01 Bottom left corner
	14a	02-5141-02 Bottom right corner
	15	03-1731-02 Push on retainer
	16	11-0642-20 Lower Switch membrane
	17	A39708-001 Machine Support Bracket
	18	03-1405-13 Hex Cap Screw 5/16-18 X 5/8
	19	16-1036-01 Water Inlet Fitting
	20	02-5154-01 Emblem
1	02-5142-02	Bezel, Includes Standard Door
1A	02-5143-01	Standard Bezel Door (Door Only)
1B	02-5142-01	Outer bezel
2	A41141-033	Front Panel Assembly,
3	03-3804-01	Screw Receptacle
4	03-3868-02	Screw #8 X .50
5	A41189-001	Left Side Panel
6	03-1731-03	Spring
7	A41214-001	Bracket, panel mount
8	03-3836-02	Screw #8 3/8
9	03-1731-05	Clip on receptacle
10	A41142-024	Top Panel
11	A41155-001	Right Side Panel
12	03-1731-04	Cupped washer

MC2648 Service Parts

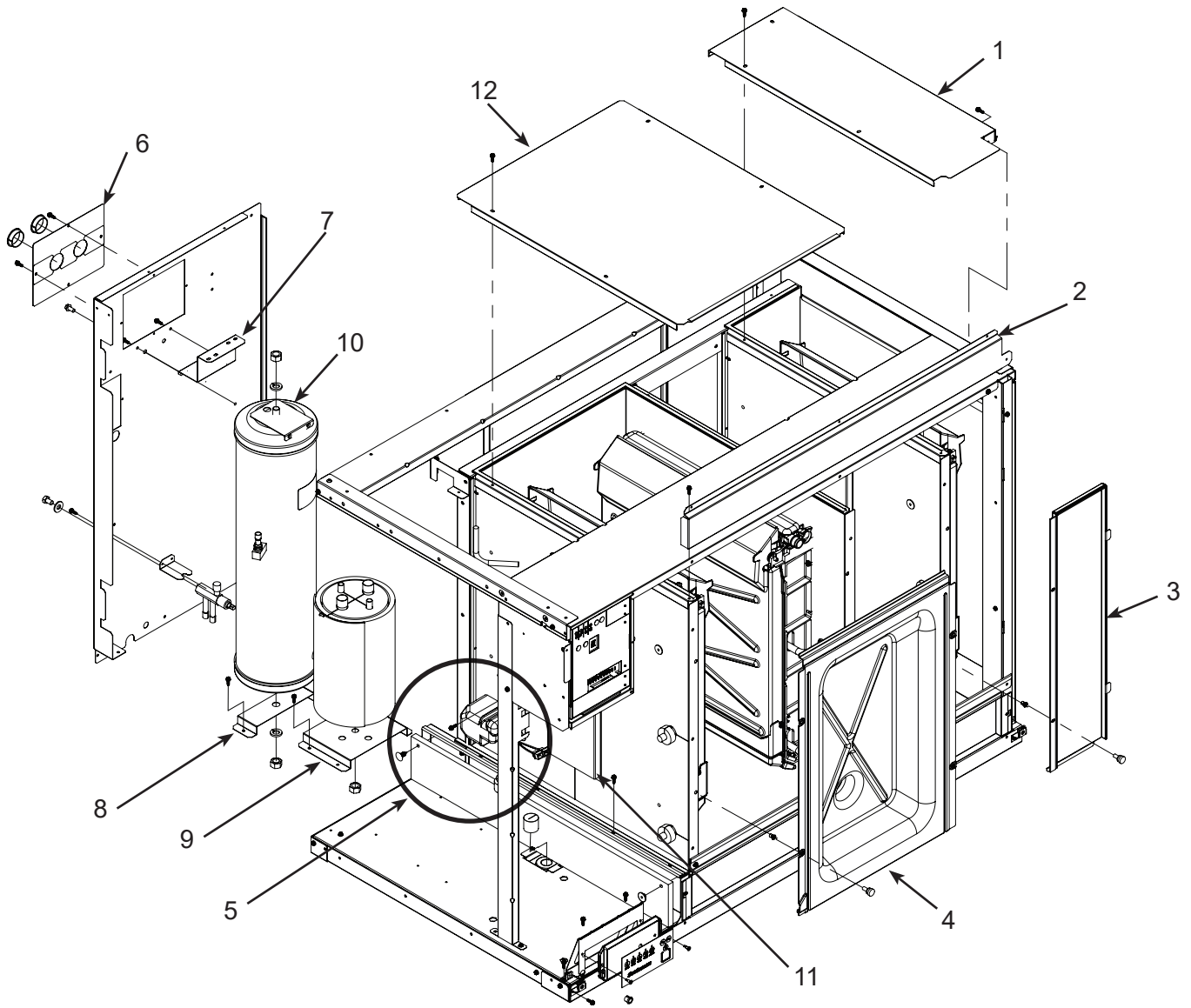
Cabinet Structure



Item Number	Part Number	Description
1	A39703-001	Back panel, ctr
2	A40427-001	Back panel, rt
3	02-3692-21	Drain fitting
4	A41213-001	Right support, outer
5	A41212-001	Base, right
6	A39659-001	Sump bracket, back
7	A39640-001	Right support, inner
8	A39638-001	Back wall
9	A39779-001	Rt side panel bracket
10	A40640-001	Back panel, left
11	A40397-001	Support bracket
12	A40396-001	Evap top support
13	A39634-001	Back brace
14	A40400-001	Evap support
15	A41210-001	Front brace
16	A39658-001	Sump support, left
17	A39650-001	Control box support
18	A40399-001	Front support bracket
19	A39653-001	Back panel brace
20	A40397-001	Support bracket
21	03-3868-02	Screw, phillips hex

MC2648 Service Parts

Interior Components, Left View

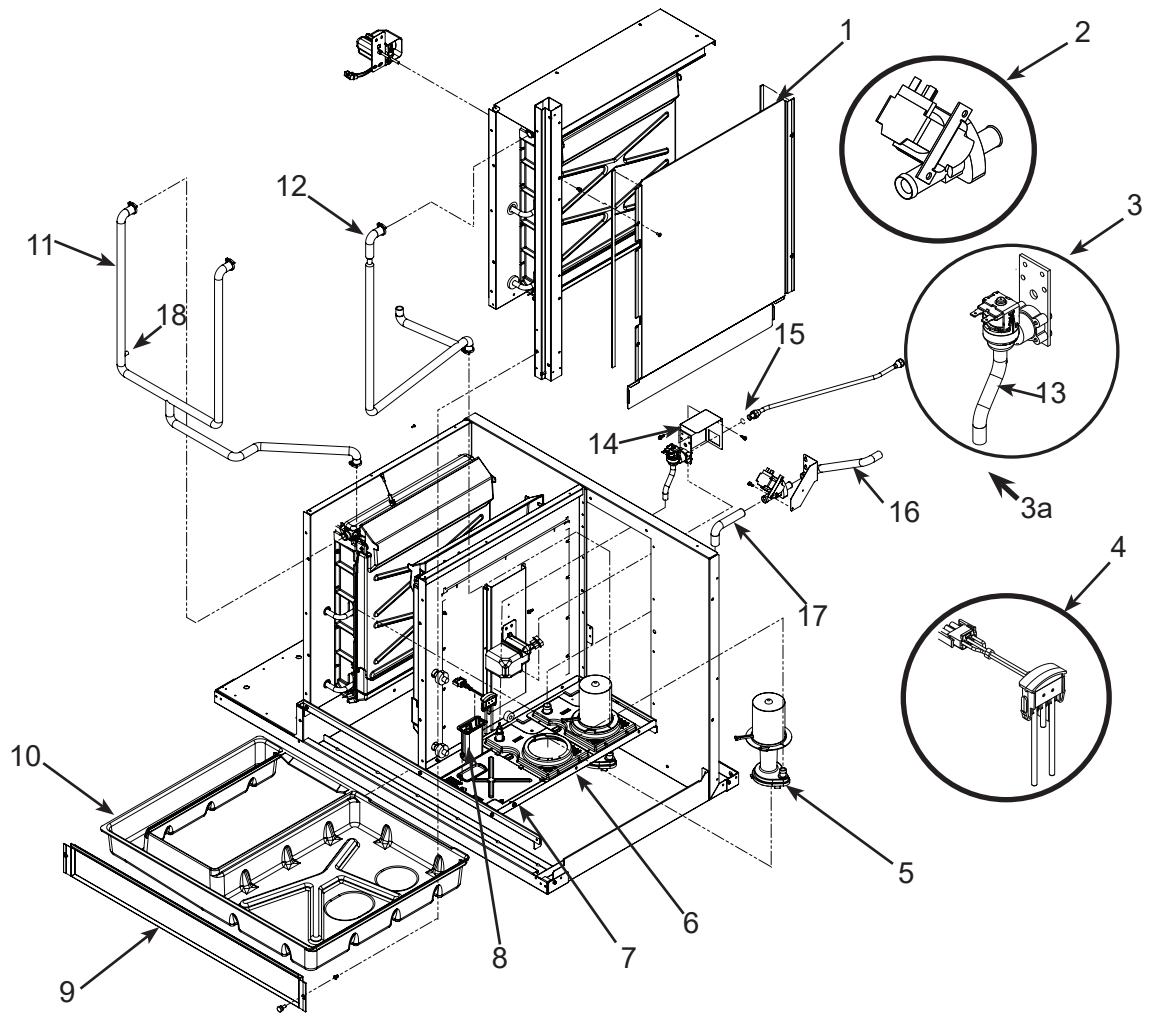


Item Number	Part Number	Description
1	A39704-001	Evap top, 1 plate
2	A40396-001	Evap top support
3	A39705-001	Evap cover, right
4	02-4184-01	Evap cover, center
5	12-3060-22	Harvest assist*
6	A40508-001	Valve cover
7	A40507-001	Valve support bracket
8	A37212-001	Receiver bracket bottom
9	A37948-001	Accumulator bracket
10	A37211-001	Receiver bracket top
11	A39657-001	HA mounting bracket
12	A39706-001	Evap top, 2 plate

* To change the two right harvest assist solenoids to 12-3060-22, replace them both at the same time.

MC2648 Service Parts

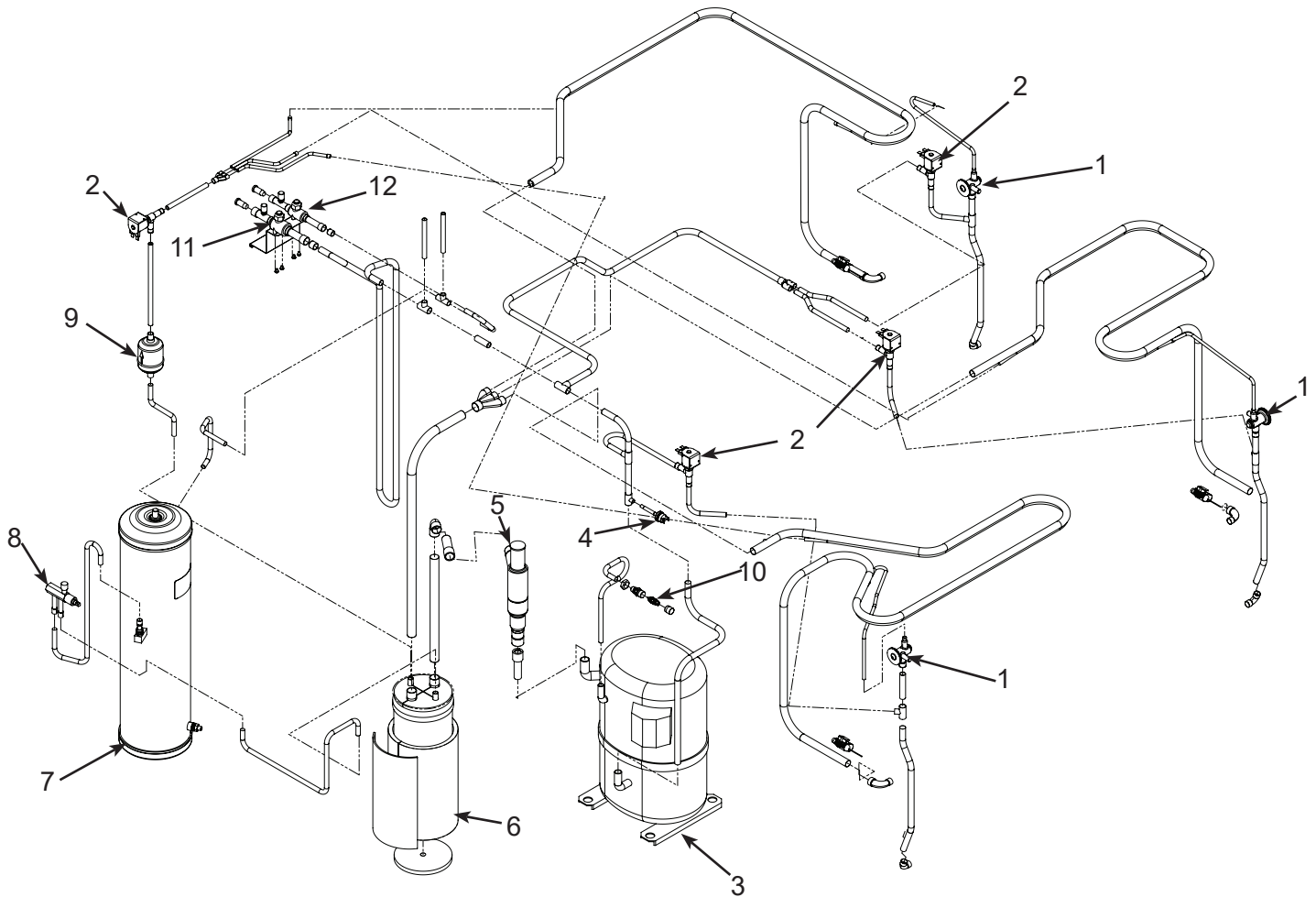
Interior Components, Right View



Item Number	Part Number	Description
1	A39778-001	Right side liner
2	11-0514-01	Purge valve
3	12-3124-03	Inlet water sol valve
4	A41192-021	Water level sensor
4a	12-3185-04	WLS Harness
5	12-2920-22	Water pump
6	02-4177-04	Pump bracket, front
	02-4177-05	Pump bracket, back
7	02-4647-02	Sump cover
8	02-4646-02	Probe cover
9	A39702-001	Sump cover, front
10	02-4554-01	Sump
11	02-4552-01	Hose, 2 plates
12	02-4553-01	Hose, 1 plate
13	13-0674-02	Water inlet tubing, use 4 in
14	A39808-001	Inlet water vlve bracket
15	16-0355-00	Coupling half
16	A39655-002	Drain hose, out
17	A39655-001	Drain hose, in
18	11-0572-21	Temp sensor set

MC2648 Service Parts

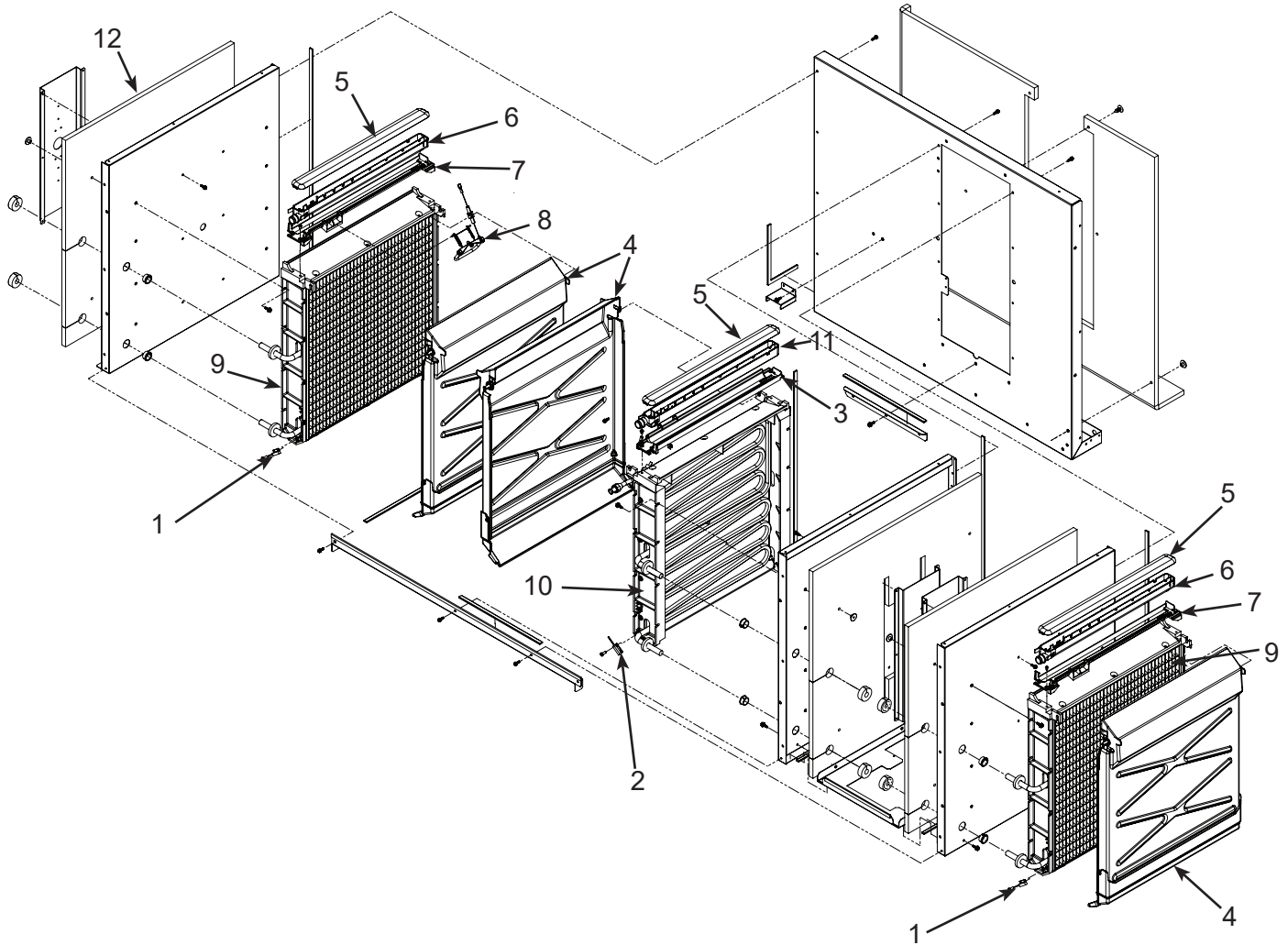
Refrigeration System



Item Number	Part Number	Description
1	16-1142-01	TXV
	19-0599-06	Insulation for TXV
2	11-0591-01	Hot gas valve / liquid line valve, no coil
2a	11-0590-02	Coil for HGV
3	18-8923-23	Compressor, 3 phase. Overload is internal. CS27K6E-TF5-276
4	11-0501-22	High pressure cut out
5	16-1096-23	OPR valve
6	16-1122-21	Accumulator with insulation
7	16-1177-01	Receiver
8	16-1030-01	Receiver outlet valve
9	02-4557-01	Dryer
10	16-1137-01	Access valve seat
	16-1139-01	Access valve core
	16-1140-01	Access valve cap
11	16-1208-04	Isolation valve, five eighths
12	16-1208-02	Isolation valve, half inch

MC2648 Service Parts

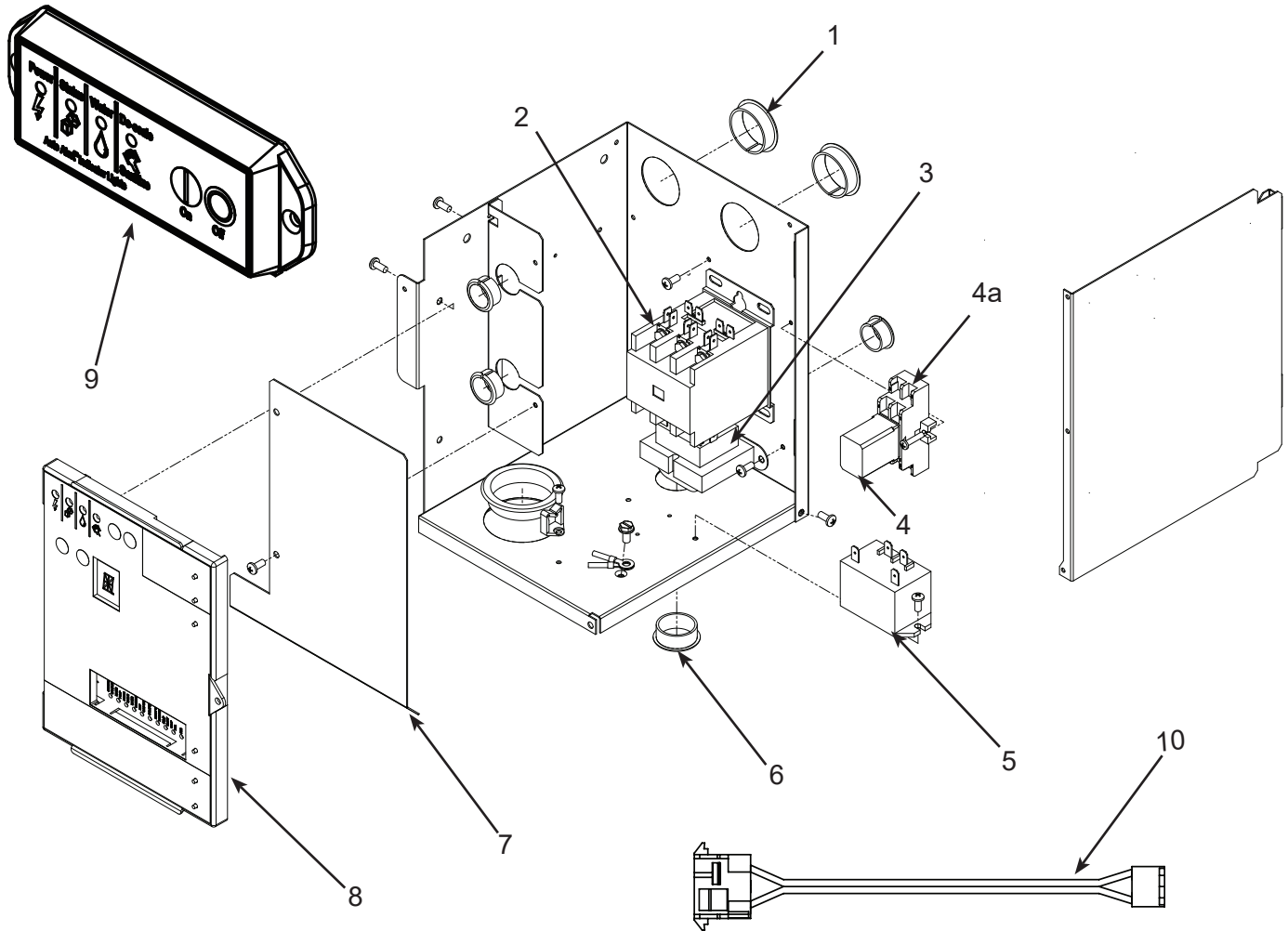
Freezing Compartment



Item Number	Part Number	Description
1	11-0563-06	Curtain switch
2	11-0563-03	Curtain switch
3	02-4205-02	Distributor mounting bracket
4	02-4611-21	Curtain, includes magnet
5	02-4065-01	Water distributor cover
6	02-4064-01	Water distributor
7	02-4205-01	Distributor mounting bracket
8	A41191-021	Ice thickness sensor
9	A39841-001	Left & Right evaporator, small cube
	A39841-002	Left & Right evaporator, medium cube
10	A39841-003	Center evaporator, small cube
	A39841-004	Center evaporator, medium cube
11	02-4064-02	Water distributor
12	02-4608-01	Insulation pad

MC2648 Service Parts

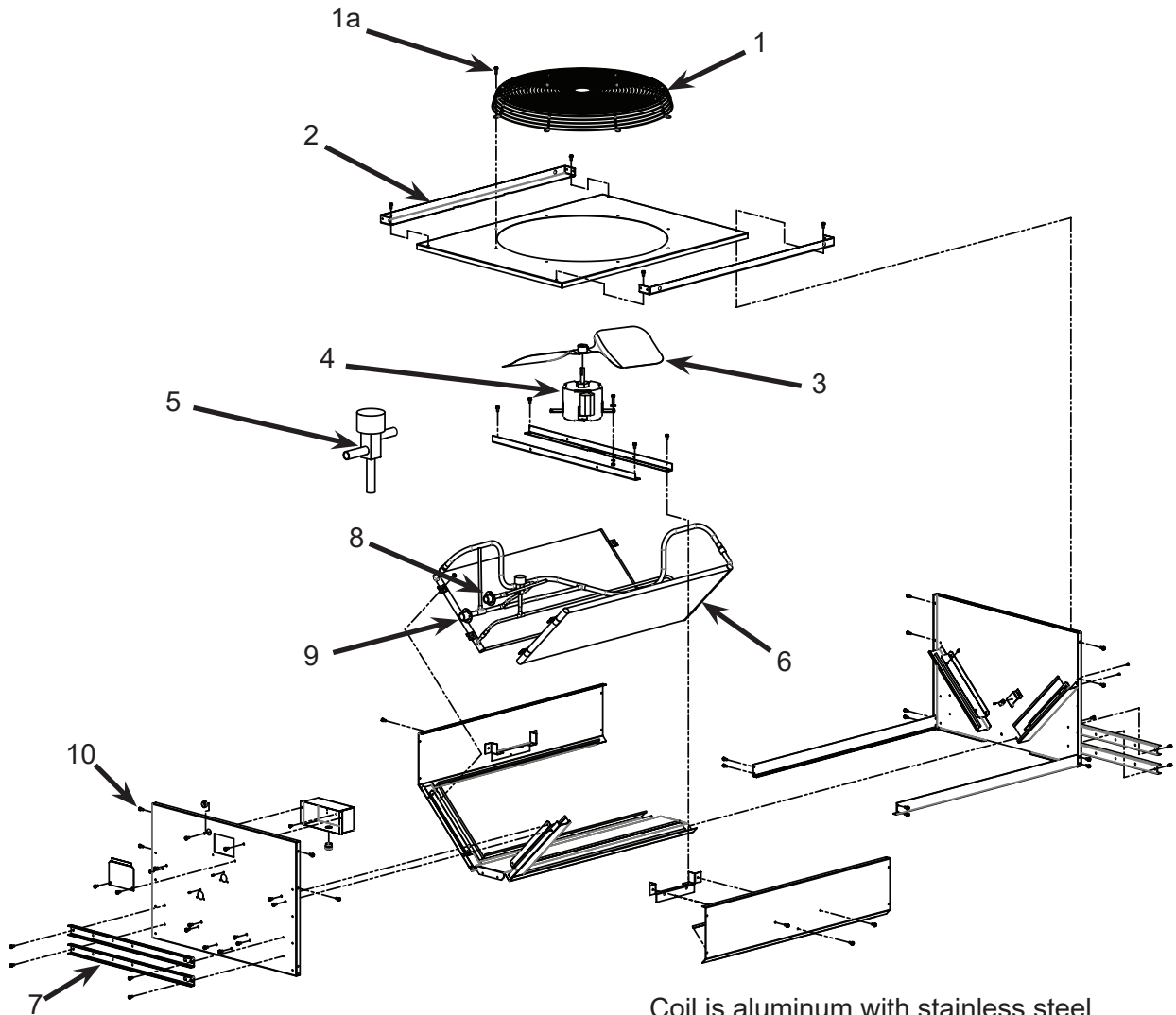
Control Box Components



Item Number	Part Number	Description
1	12-1213-20	Snap bushing
2	12-2533-02	Contactors
3	12-2924-02	Transformer
4	12-2949-03	Relay
4a	12-2949-02	Base
5	12-3031-01	High capacity relay
6	12-1213-11	Snap bushing
7	A39216-001	Barrier
8	11-0640-21	Controller
	02-5168-01	Control box door
	02-4294-01	Overlay label
9	11-0642-21	Lower switch panel w/ harness
10	12-3030-01	Harness for the 3rd Curtain Switch

MC2648 Service Parts

PRC241 Condenser

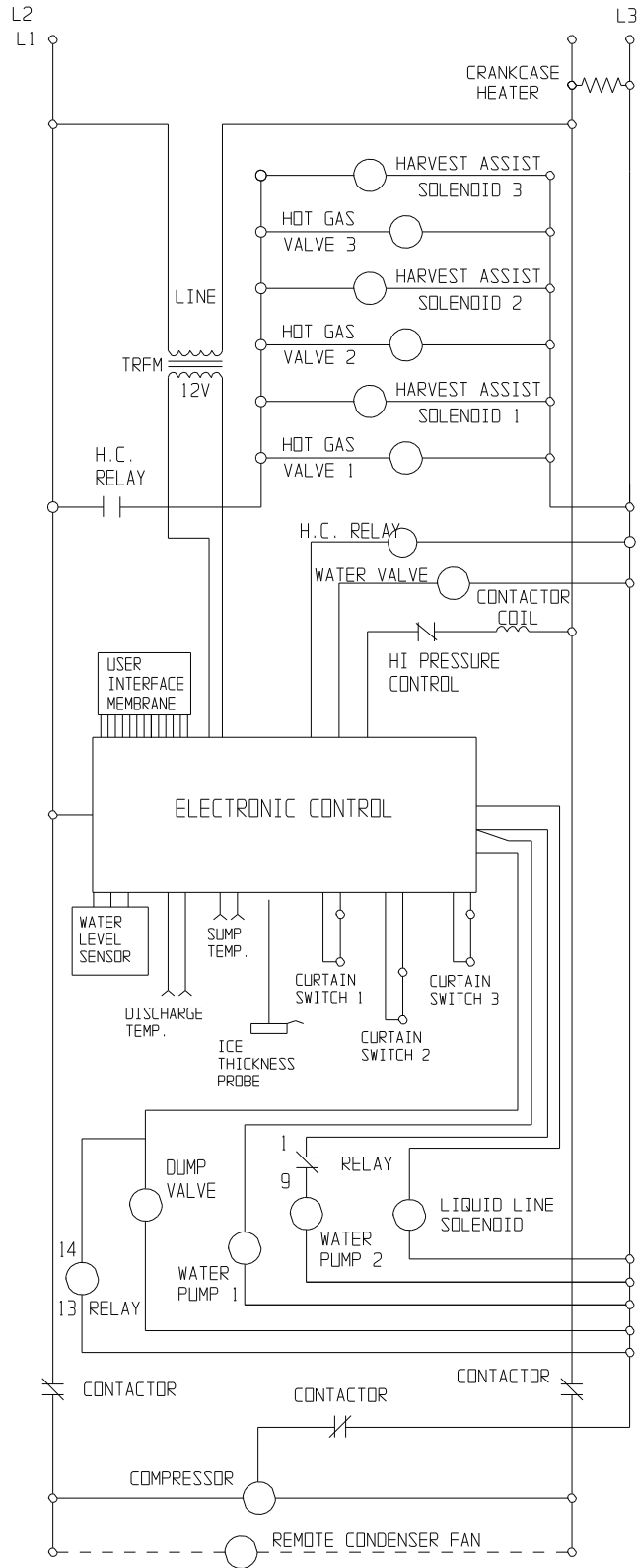


Coil is aluminum with stainless steel copper stubs. Do not overheat

Item Number	Part Number	Description
1	02-3770-01	Fan Guard
1a	03-1645-03	Screw
2	A39756-001	Leg brace
3	18-8820-01	Fan blade
4	12-2717-01	Fan motor
	18-8878-01	Fan motor capacitor
5	11-0422-22	Head pressure valve
6	18-8945-22	Condenser coil
7	A37169-001	Leg
8	16-0850-01	Liquid quick connect
9	16-0850-05	Disch. quick connect
10	03-1645-01	Screw, fits legs & other

MC2648 Service Parts

Schematic Diagram

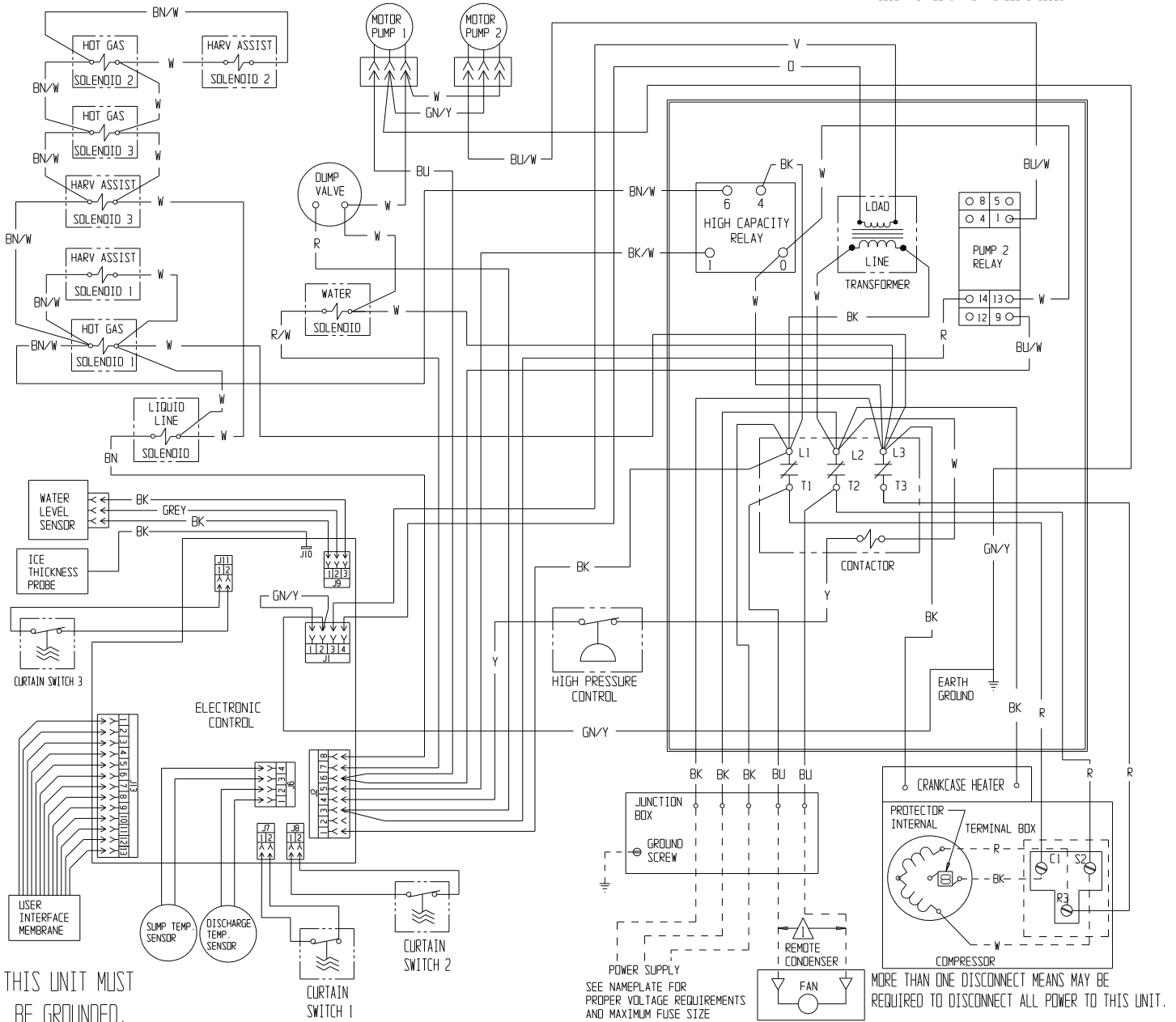


MC2648 Service Parts

Wiring Diagram

17-3779-01

USE COPPER CONDUCTORS ONLY ⚠ DASHED LINES INDICATE FIELD WIRING WHICH MUST BE INSTALLED IN ACCORDANCE WITH THE NATIONAL ELECTRICAL CODE AND ALL STATE AND LOCAL CODES.



THIS UNIT MUST BE GROUNDED.

POWER SUPPLY
SEE NAMEPLATE FOR PROPER VOLTAGE REQUIREMENTS AND MAXIMUM FUSE SIZE

MORE THAN ONE DISCONNECT MEANS MAY BE REQUIRED TO DISCONNECT ALL POWER TO THIS UNIT.